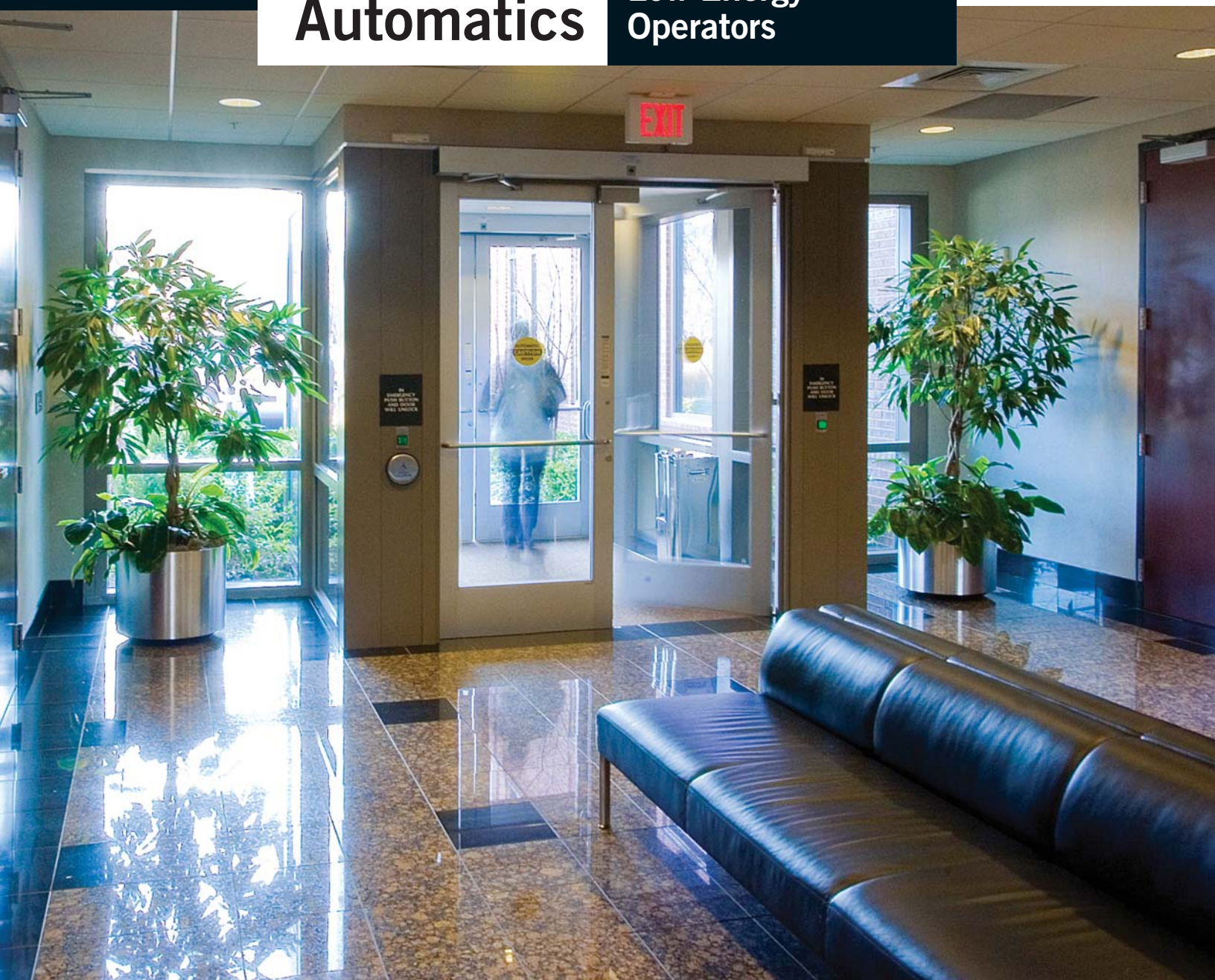


DORMA Automatics

Low Energy
Operators





DORMA ED700 — Smooth, Quiet Operation and Elegant Slimline Design

For applications requiring barrier-free access, the DORMA ED700 is the perfect solution. Simple and easy to install, the ED700 provides many features and functions to make existing doors easily accessible.

The DORMA ED700 is custom ordered to match the application. All common applications for outswing and inswing doors — either with push arm or slide track arm for tight side clearance — can be adapted for barrier-free access.

Extruded aluminum covers in custom lengths are available to match aesthetically with the door frame.

The ED700 may be used for door widths up to 48" (1220 mm) and a maximum weight of 200 lb (91 kg).

For best accessibility, the operator can open the door up to an opening angle of 110°.



Features

- Slide track arm available for inswing applications
- Full length header available on request
- 5.5" W × 5" H Extruded Aluminum Header (140 × 127 mm)
- For inswing and outswing doors
- Scissor-arm for inswing & outswing applications

Finishes

- 204-R1 clear anodized
- 313-R1 dark bronze anodized
- Special finishes available (custom anodized, paint, architectural metal cladding)



Standards

- ETL listed for US and Canada (UL325)
- Full compliance with ANSI A156.19 – American National Standard for Power Assist and Low Energy Power Operated Doors
- Full compliance with the Americans with Disabilities Act of 1990
- NFPA 252 90 minute fire rating when used with rated door and hardware

Features & Functions

Settings and Adjustments

All major adjustments are easily accessible on the control unit allowing correct settings for varying door and pedestrian requirements. Main adjustments are as follows:

- Open speed
- Time delay (hold open time, 1–30 seconds)
- Close speed
- Open check speed
- Open force

Options for Activation

- Pushbutton (momentary actuation opens door; time-delayed closing)
- Internal Push-&-Go (Slight push of door will initiate powered door opening)
- Card Readers
- Power Assist
- Remote Controls

3-Position Door Control Switch

- OFF (easy manual operation)
- ON (low energy mode operation)
- OPEN (door fully opens and remains)

Optional Accessory Interface

- Motion sensor (door opens and remains until sensor zone clears; time-delayed closing)
- Presence sensor (swing area protection; prevents closed door from opening/open door from closing)
- Built-in lock-out function and support for dual-state overhead safety sensors
- Door-Mounted Sensors (Approach/Door Open; Swing side/Door Inhibit)

Built-in Power Supply for Sensors

Electrical Requirements

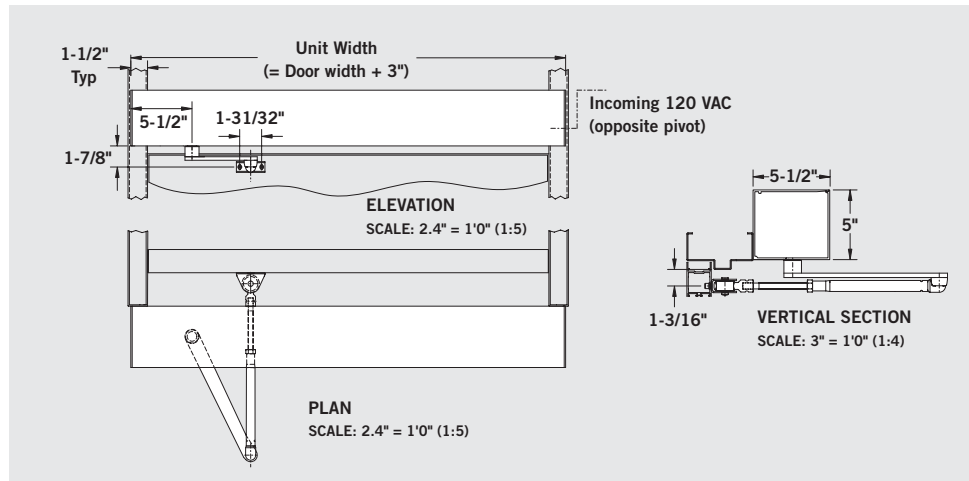
- 120 VAC, 50/60 Hz, 5 A minimum

Aesthetic solutions for swinging door applications.

ED700 Configurations

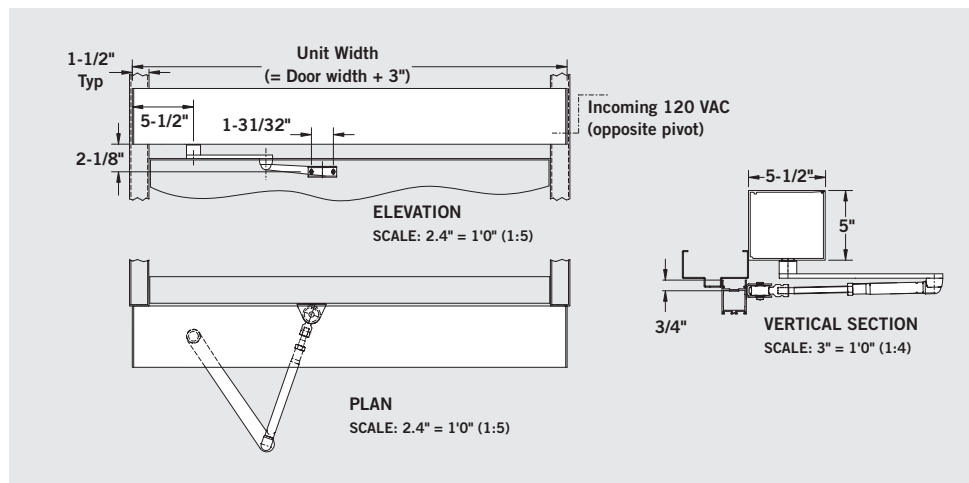
Surface Applied Outswing Scissor-Arm (Push Application)

Surface applies the operator to the door frame with a push arm assembly attached to the top door rail.

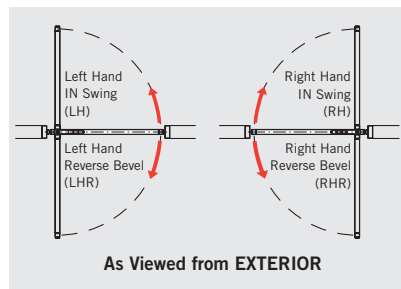


Surface Applied Inswing Scissor-Arm (Pull Application) (Standard)

Surface applies the operator to the door frame with push arm assembly attached to the top door rail.



Door Handing Definition





DORMA ED400-IG — Concealed Automatic In-Ground Floor Closer

DORMA introduces the ED400-IG Automatic Floor Closer for applications that need to meet access requirements and maintain a classic look at the same time — such as an arched door or an all-glass façade. This revolutionary new operator conceals the automatic components in the floor near the door threshold.

The ED400-IG functions in either low energy or full power mode, and can be used in both new construction and retro-fit applications. DORMA partnered with Opcon

Manufacturing Systems to construct a closer that directs the energy generated by the ED400 drive unit to the pivot in a rotating motion, thus allowing consistent, smooth operation.

The install box that stores the operator is completely weather proof and is only 7" deep. All ED400 operator functions, such as Push & Go, Power Close, and Lock Interface, are fully available in this application, which DORMA is nonetheless able to offer at a value-conscious price.



DORMA ED1400 — Smooth Operation and Monumental Styling in a Low Energy Balanced Door

DORMA introduces the ED1400 Low Energy Balanced Door. Balanced doors are known for smooth operation, wind stack advantages, and monumental styling.

The DORMA ED1400 automatic balanced door is constructed with premium-grade aluminum extrusion and is precision-assembled to the highest standard. This balanced door uses the ED400 controller for opening and a manual hydraulic closer to augment closing.

Combining both systems ensures super smooth operation in both automatic and manual modes.

Features

- The base unit size is 7'-0" x 3'-0".
- Different sizes and options are available.
- Available finish options include clear and dark bronze aluminum, over 20 special anodizing finishes, and painted finishes in literally countless colors.



DORMA Entrance Systems™



DORMA Automatics • Crane Revolving Doors • Carolina Door Controls
Providing entrance systems that meet or exceed industry standards while maintaining architectural appeal.

DORMA Group North America



DORMA Automatics
A leading innovator of automatic door systems, DORMA Automatics offers products for practically any application: retail, health-care, office buildings, airports, hospitality, and more.

Crane Revolving Doors

The choice of leading architects for commercial and institutional buildings, Crane Manual, Automatic, & Security Revolving Doors can be found in buildings worldwide.



Carolina Door Controls
Providing sales, installation, and service for automatic doors.

DORMA Entrance Systems™
Pedestrian Flow, Safety & Security

DORMA Architectural Hardware
Providing Safety & Security Around the Door

DORMA Glas
Elegance, Versatility & Beauty

Modernfold
Sound & Space Management

DORMA Entrance Systems
924 Sherwood Drive
Lake Bluff, IL 60044

Toll Free: 877.367.6211
Fax: 877.423.7999

Email: automatics@dorma-usa.com
www.dorma-usa.com

©2008 DORMA Group North America
DORMA is a registered trademark of DORMA Properties, Inc.
Printed in U.S.A.